

*elite* Series



**AVA LED**

**CR-IR 2" P2,6"**

Data Sheet

QUALITY IN DETAIL

**INDOOR SERIES**

CR-IR 2 PRO" P2,6" | CR-IR 2 PLUS" P2,6"



- 02-03 ○ Series and Features
- 04-05 ○ Product Details
- 06-07 ○ Size - Product Photo
- 08-09 ○ Cabinet Detail - Safety
- 10-11 ○ Installation Guides
- 12-13 ○ Accessories - Company Info

- Advanced High Brightness Black technology,
- Advanced High Refresh Rate,
- Fast installation of panel to Light Frame,
- Just Signal person to install/uninstall, saving labor cost
- Die-Casting Aluminum frame design,  
No noise, lower power consumption, good heat dissipation.
- Low Weight and Ultra thin Cabinet

# *elite*

Series



## CR-IR 2 PRO "P2,6"

- High Refresh Rate: 3840Hz
- B Class Led Chip
- High Quality PCB
- High Quality MASK

## CR-IR 2 PLUS "P2,6"

- High end Refresh Rate: 3840Hz
- A Class Led Chip
- Best Quality PCB
- Best Quality MASK
- High end Refresh Rate
- 18 Bit
- Clear View
- Free Rotation
- HDR
- 4K Refresh Rate

FEATURES



## Features

- \*\*\* FRONT SERVICE
- \*\*\* Light Weight
- \*\*\* Aliminum Die-Casting
- \*\*\* 500x500 : 12 in 1 Case weight with products: 118kg.
- \*\*\* Advenced and safety Lock
- \*\*\* Nova Star Controller
- \*\*\* SPACE BLACK
- \*\*\* Flat or Curver Series " optional "

## ○ TECHNICAL SPECIFICATION

MODEL NAME Version	CR-IR 2 PRO "P2,6"	CR-IR 2 PLUS "P2,6"
Pixel Pitch	2,6mm	2,6mm
Module Change	FrontServices	FrontServices
Pixel Configuration	SMD 1515	SMD 1515
LED	Space Black	Space Black
Processing	16 Bit	-
Processing	-	18 Bit
Pixel Density / m2	147456	147456
Resolution/SQM	384 x 384	384 x 384
Cabinet Resolution 500x500	192x192	192x192
Pixel Density / Cabinet	36864	36864
Module Size (mm)	250 x 250	250 x 250
Cabinet Size (mm) " OPTIONAL "	500 x 500 x 85	500 x 500 x 85
Module Per SQM	16 MODULE	16 MODULE
Module Resolution	96 x 96	96 x 96
Weight Per Panel Net kg. 500x500mm	7	7
Rotation per 90 Degree	✓	✓
Free Rotation (with R5)	○	✓
Mapping	✓	✓
Clear View	○	✓
Low Latency	○	✓
HDR	○	✓
Power Consumption (<w/sqm)	540	540
Average Power Consumption (<w/sqm)	189	189
Driving Method	1/26	1/26
Brightness	>1500 Nits	>1600 Nits
Refresh Rate	-	-
Refresh Rate High Refresh	>3840Hz	>3840Hz
Refresh Quality	High Quality	Best Quality
High Refresh (PLL inside)	-	✓
High Refresh Power Saving	✓	✓
High Refresh Dynamic Power Saving	-	✓
Driving IC Type	PWM	PWM
Refrate Quality 2	High Quality	4K Refresh Rate
No Waterless Ripple of Camera	>%75	>%90
Cabinet Material	Die-Casting Aliminum	Die-Casting Aliminum
Horizontal Viewing Angle	140 (±30)	140 (±30)
Vertical Viewing Angle	140 (±30)	140 (±30)
Expected LED Lifetime %50	100,000 Hours	100,000 Hours
IP Rating	IP20	IP20
PCB Quality	Best Quality	Best Quality
Module - Mask Quality	Best Quality	Best Quality
LED Chip	Class B	Class A
Picture / Video Quality	High Quality	Best Quality
Grey Scale	65536	262144
Control Systems	Nova Star	Nova Star
Operating Temperature Range	-20 – +60 (±10)	-20 – +60 (±10)
Operating Humidity Range	-40°C~+60°C,10%-90%RH	-40°C~+60°C,10%-90%RH
Voltage Range	200 ~240VAC	200 ~240VAC
Packing include	Plate-Power-Cat5 Cable	Plate-Power-Cat5 Cable
Certificate	CE/EMC/LVD-ATR-EUR1 ISO-9001:2015 ISO-14001:2015	CE/EMC/LVD-ATR-EUR1 ISO-9001:2015 ISO-14001:2015

The data written in the Datasheet may different by + - 10%

# *elite* Series



## PRODUCT CABINET SIZE

size : 500mm



size : 500mm

size : 70mm



CABINET SIZE

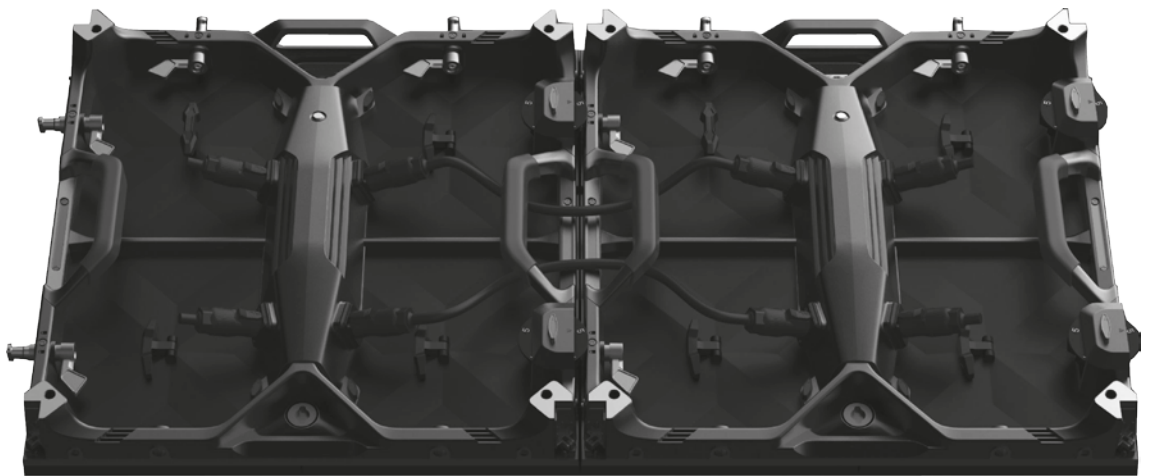
QUALITY IN DETAIL

*elite*

Series



PRODUCT PHOTO



QUALITY IN DETAIL

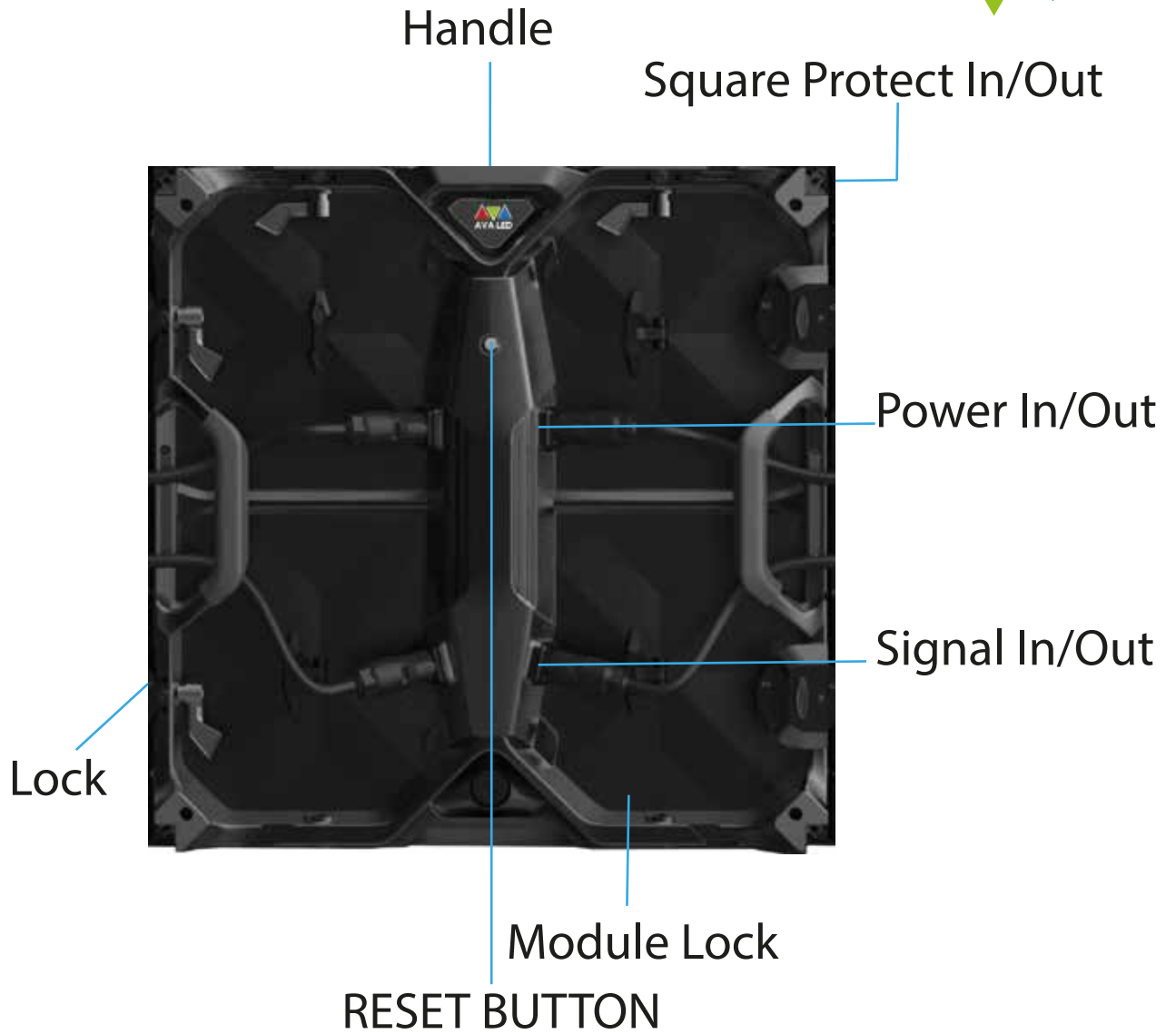


# elite

Series

08

CABINET DETAIL



Front Service



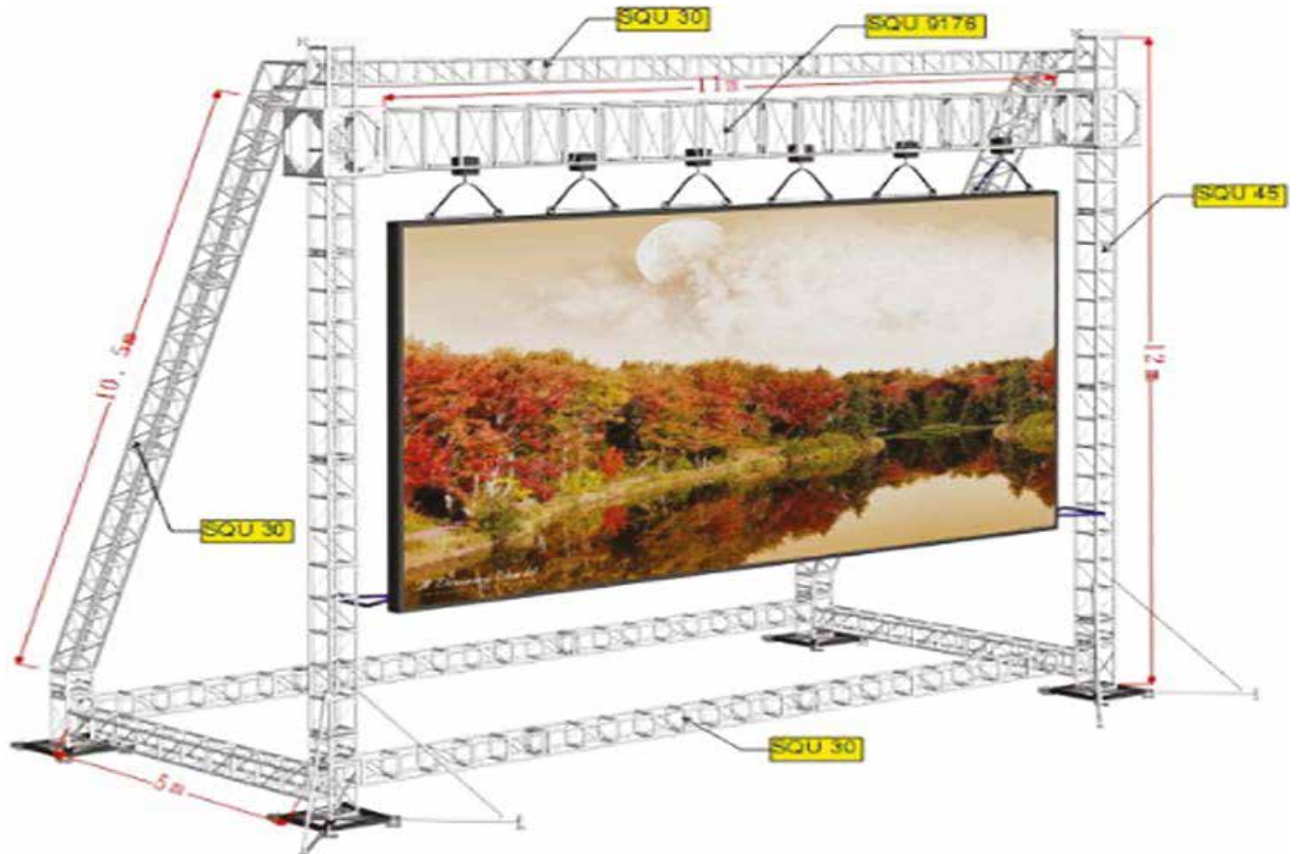
QUALITY IN DETAIL

# elite

Series

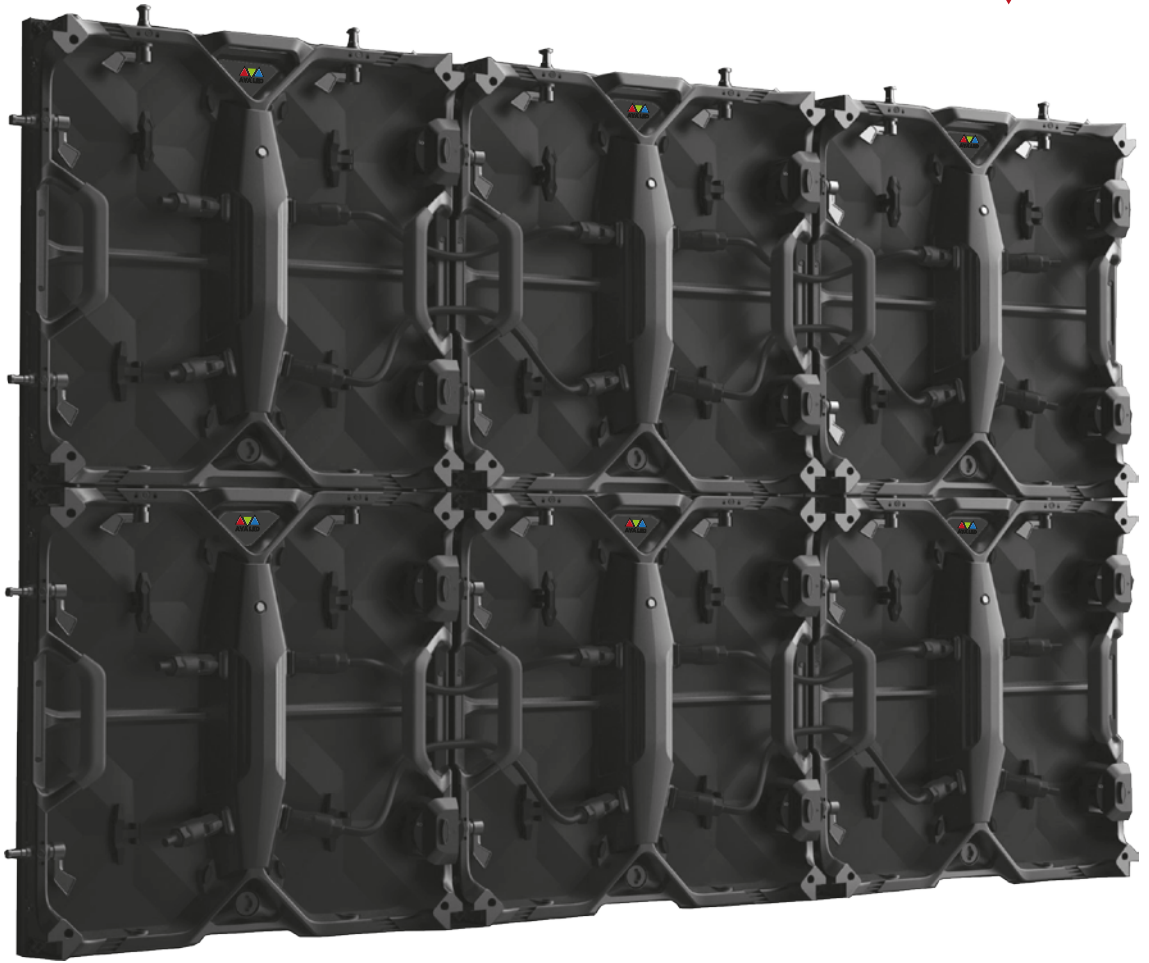
09

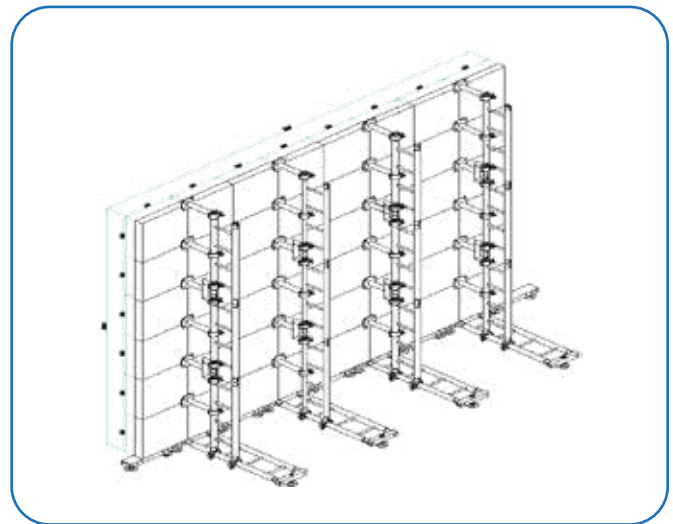
SAFETY



QUALITY IN DETAIL

INSTALLATION

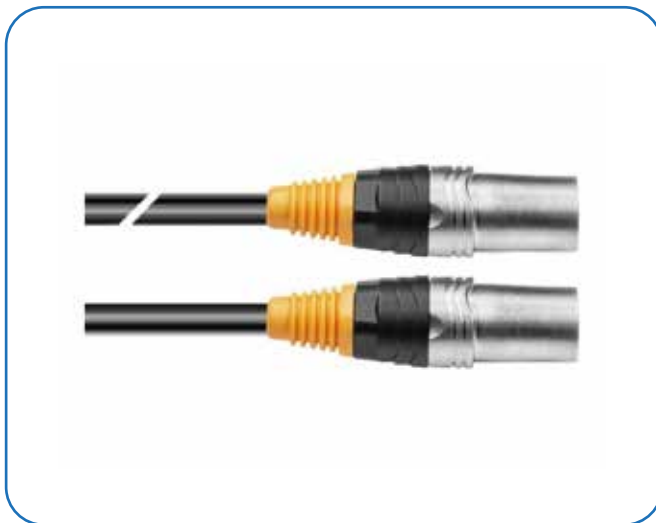




INSTALLATION



# elite Series



# ACCESSORIES



# AVA LED

[www.avaledscreen.com](http://www.avaledscreen.com)

[info@avaledscreen.com](mailto:info@avaledscreen.com)

AVA GROUP GMBH

Adress: Goethestraße 7D - 40237 Düsseldorf / Germany

Phone : +49 211 730 64 817

